



Aurora Series

Using paper in our daily cleaning and drying become essential and common now a day

Customers are more focus on the convenience and effectiveness when choosing a paper product. Our wide range of paper dispenser consists of toilet paper dispenser, pop-up tissue dispenser, hand towel dispenser and center pull tissue dispenser able to fit most of the market tissue and durability ensured.

AR 1123 Hand Towel Dispenser

Product Info

- Stylist, slim and compact design
- Operation friendly key lock system
- Tissue level viewing window
- Multiple wall mounting screw position to ensure flexible mounting position
- Able to suit the multiple types of tissue paper (M-fold, C-Fold, V-Fold, Z-fold and interfold)
- Able to fit 2-3 packs of tissue paper (Depending on tissue standard)
- All part made from 100% virgin material to ensure durability

Packaging

Quantity : 6 units / Carton
 Carton Size : 550(L) x 390(W) x 395(H)
 CBM : 0.085 / carton
 Gross Weight : ± 5.87 kgs

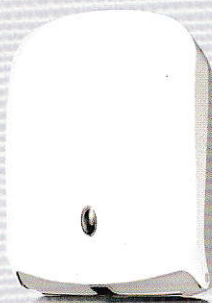
Specifications

Colour Available : White
 Maximum tissue size : 250(L) x 90(W)
 Material : ABS
 Product Dimensions : 272(L) x 130(W) x 385(H)

AR 1123



Colour Option

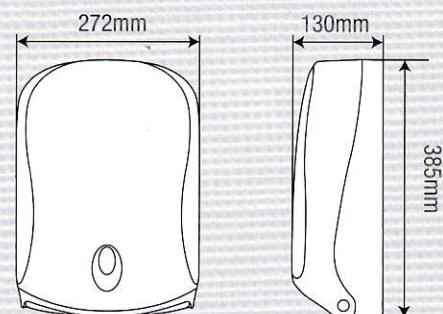


▲ White



▲ Internal Structure

Product Dimensions



Front View

Side View